

■ Characteristic

- Standard 4u dimension suitable for fixed placement in a standard cabinet.
- Low energy consumption
- Intelligent frequency conversion
- High precision
- Compressor overcurrent protection
- Traffic alarm
- Intelligent antifreeze
- Wide temperature setting range
- High-resolution LCD and touch control
- Fast water, electric connector, plug and play
- Dual voltage input optional (DC or AC)
- Modbus-485 communication (optional)



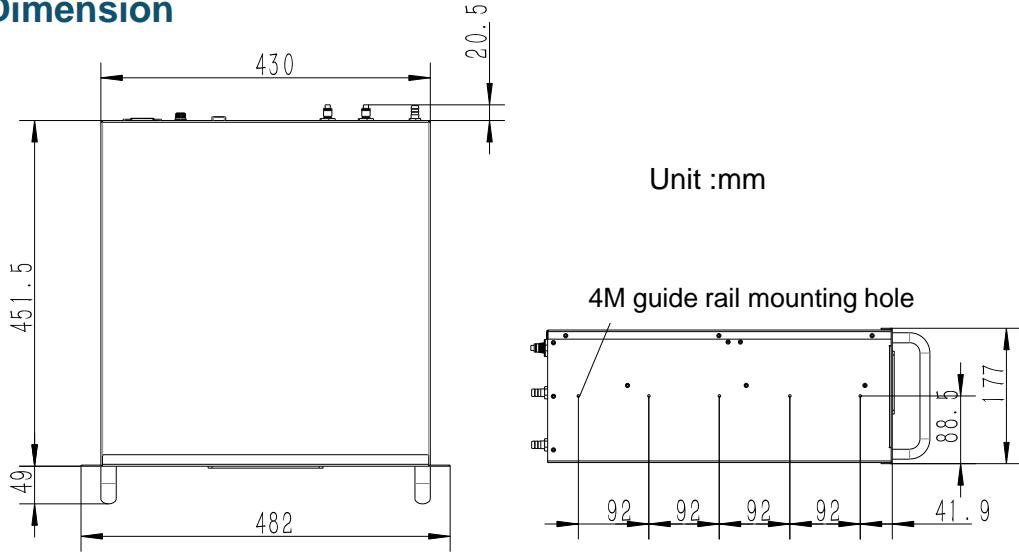
■ Parameter table

name	Rack chiller	type	CS-RMC-4U00XXXX
item		unit	data
cooling capacity		W	500
Rated voltage			See model list
rated power		W	200
compressor	class		Mini DC compressor
	flow	cc	1.9
fan	type		Axial flow
	size	mm	120×120×38
	air volume	CFM	115
pump	type		Mini DC Brushless Centrifugal Pump
	Max . pump lift	m	8
	Max flow	L/min	10
refrigerant	type		R134a
water tank	capacity	ml	800
setting range of temperature		℃	5~30 / -10~15℃
precision		℃	±1
operating temperature		℃	10~50
storage temperature		℃	-20~60
weight		kg	15
heat transfer medium			Water/glycol aqueous solution
External hose inner diameter		mm	8

■ Parameter table

name	Rack chiller	type	CS-RMC-4U00XXXX
item		unit	data
cooling capacity		W	500
Rated voltage			See model list
rated power		W	200
compressor	class		Mini DC compressor
	flow	cc	1.9
fan	type		Axial flow
	size	mm	120×120×38
	air volume	CFM	115
pump	type		Mini DC Brushless Centrifugal Pump
	Max . pump lift	m	8
	Max flow	L/min	10
refrigerant	type		R134a
water tank	capacity	ml	800
setting range of temperature		℃	5~30 / -10~15℃
precision		℃	±1
operating temperature		℃	10~50
storage temperature		℃	-20~60
weight		kg	15
heat transfer medium			Water/glycol aqueous solution
External hose inner diameter		mm	8

■ Dimension



■ Series model

model	Power supply	Temperature control range	note
CS-RMC-4U002401	DC 24V	5~30℃	
CS-RMC-4U002402	DC 24V	-10~15℃	Suitable for low temperature requirement
CS-RMC-4U00AC01	AC 220V	5~30℃	
CS-RMC-4U00AC02	AC 220V	-10~15℃	Suitable for low temperature requirement

■ Cooling capacity curve

